

# PARTS LIST

BC230

## CONTENTS

1 • MAIN BODY .....	1, 2
2 • GEARCASE .....	3, 4
3 • ENGINE (CRANKCASE, CYLINDER).....	5~8
4 • ENGINE (CARBURETOR, RECOIL STARTER).....	9~10
5 • ACCESSORIES .....	11

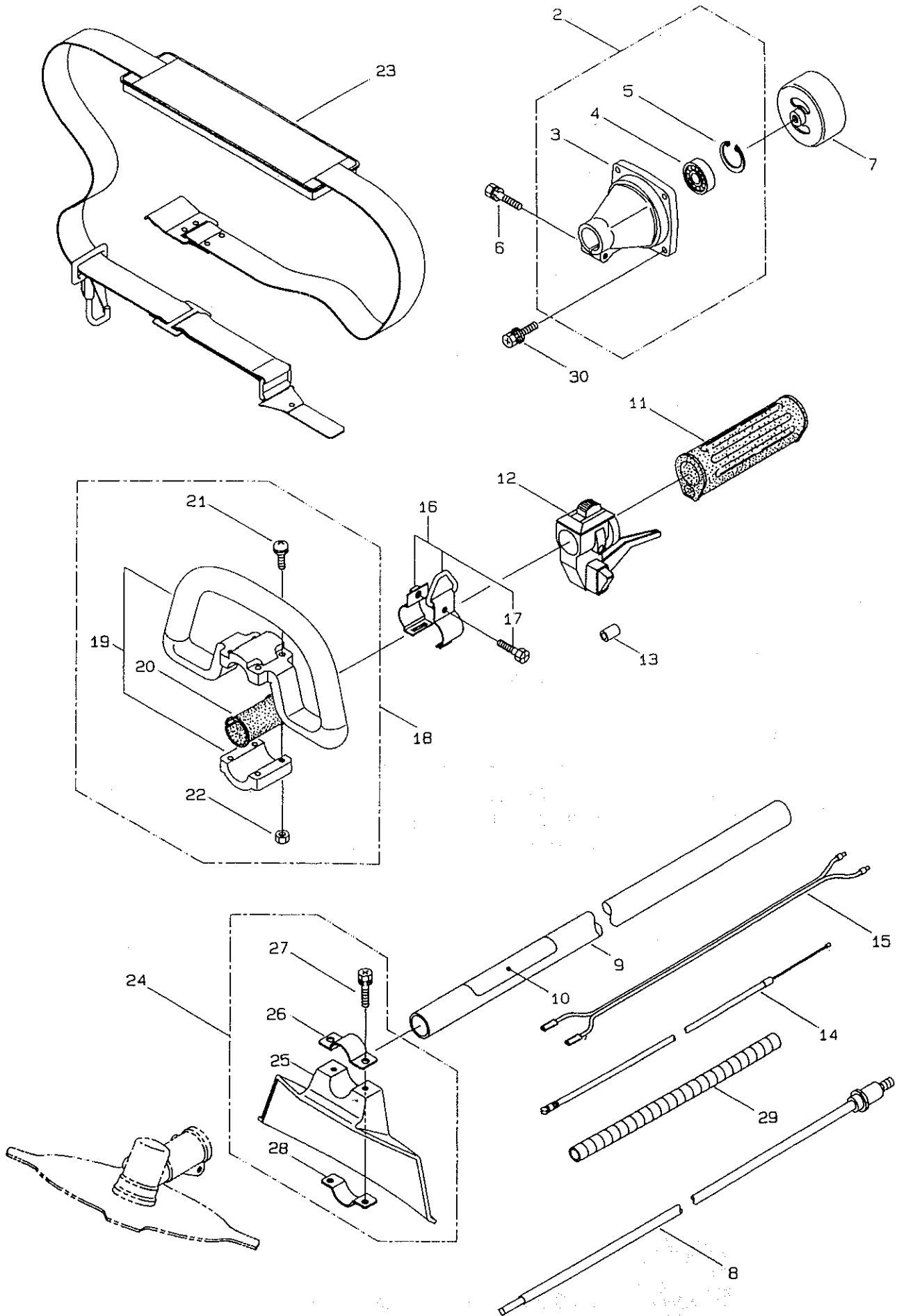
1995. 2.



**MARUYAMA**

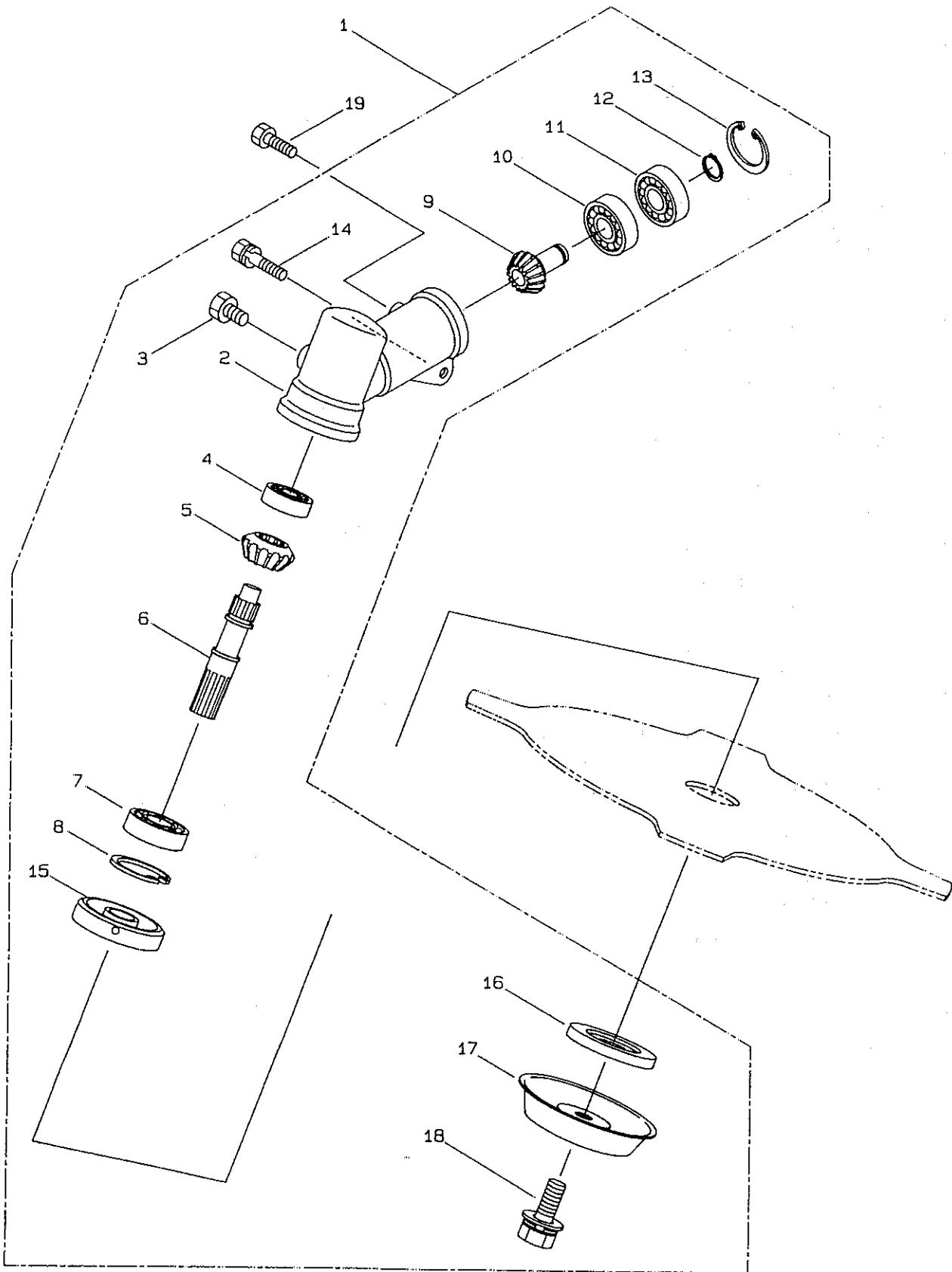
P/N 520627

# 1 · MAIN BODY



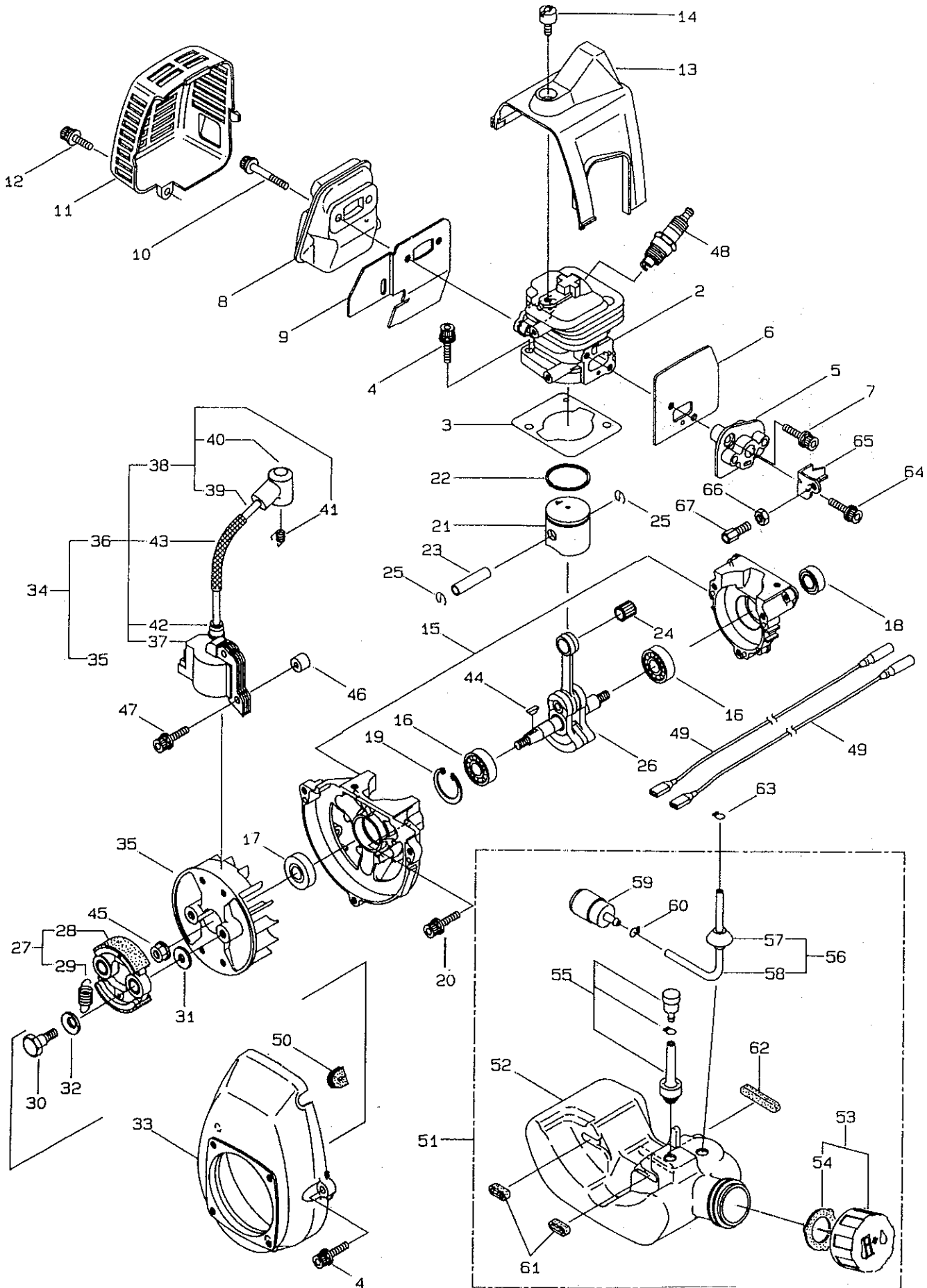
Ref. No	Part No.	Part Name	Q'ty	Remarks
1- 1	347991	BC230	1	
1- 2	219602	Clutch Case Ass'y	1	Incl 3~5
1- 3	219465	Clutch Case	1	
1- 4	016405	Bearing	1	#6200ZZ
1- 5	013825	Snap Ring	1	H30
1- 6	092550	Bolt	1	M5X25
1- 7	054677	Clutch Drum	1	
1- 8	220301	Driveshaft Ass'y	1	
1- 9	218711	Driveshaft Tube	1	
1-10	213751	Label	1	Caution
1-11	215532	Shaft Grip	1	
1-12	215996	Throttle Trigger	1	
1-13	214083	Outer Guide	1	
1-14	213444	Throttle Cable	1	340L
1-15	213445	Lead Wire, Stop Switch	1	
1-16	054691	Hanging Bracket Ass'y	1	Incl. 17
1-17	089738	Bolt	1	M5x15
1-18	214224	Loop Handle Ass'y	1	Incl. 19~22
1-19	214982	Loop Handle	1	
1-20	213171	Packing	1	
1-21	092087	Screw	4	M5X28
1-22	081027	Nut	4	M5
1-23	210781	Hanging Strap Ass'y	1	
1-24	213842	Safety Cover Ass'y	1	Incl. 25~28
1-25	213843	Safety Cover	1	
1-26	212995	Bracket	1	
1-27	092577	Bolt	2	M5X25
1-28	212994	Threaded Bracket	1	
1-29	213548	Plastic Tube	1	
1-30	817002	Bolt	4	M5x20

# 2 · GEARCASE



Ref. No	Part No.	Part Name	Q'ty	Remarks
2- 1	220324	Gearcase Ass'y	1	Incl. 2~18
2- 2	220067	Gearcase	1	
2- 3	089819	Bolt	1	M6X8
2- 4	210554	Bearing	1	#608
2- 5	210555	Gear	1	
2- 6	215762	Blade Shaft	1	
2- 7	212999	Bearing	1	#6001 2RK
2- 8	055185	Snap Ring	1	H28
2- 9	215544	Pinion Gear	1	
2-10	210560	Bearing	1	#609
2-11	140268	Bearing	1	#609Z
2-12	140269	Snap Ring	1	WR9
2-13	140270	Snap Ring	1	H24
2-14	092561	Bolt	1	M5X25
2-15	212986	Boss Adapter	1	
2-16	140275	Clamping Washer	1	
2-17	215547	Stabilizer	1	
2-18	215610	Bolt	1	M8x22, Counterclockwise
2-19	089737	Bolt	1	M5X12

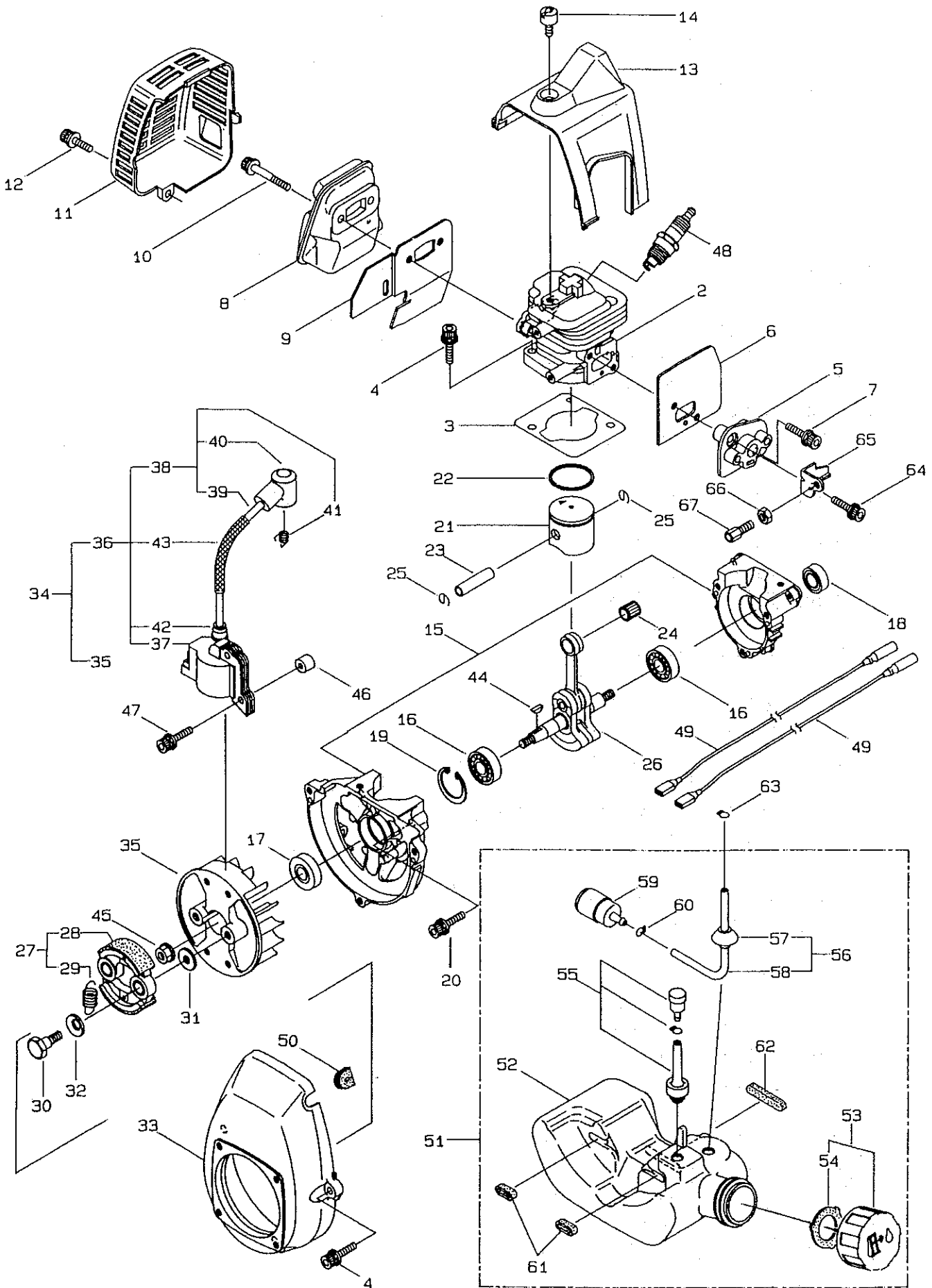
# 3 · ENGINE CRANKCASE, CYLINDER



Ref. No	Part No.	Part Name	Q'ty	Remarks
3- 1	264877	Engine	1	LE230/10
3- 2	263768	Cylinder	1	New gasket required
3- 3	263770	Gasket	1	
3- 4	261250	Cap Screw	5	M5x20
3- 5	263772	Insulator	1	New gasket required
3- 6	263774	Gasket	1	
3- 7	261246	Cap Screw	1	M5x25
3- 8	263776	Muffler	1	
3- 9	263777	Gasket	1	
3-10	264223	Cap Screw	2	M5X40
3-11	263802	Muffler Cover	1	
3-12	261607	Cap Screw	1	M5x16
3-13	263779	Cylinder Cover	1	
3-14	264022	Knob	1	
3-15	264312	Crankcase	1	
3-16	261181	Bearing	2	#6000C3
3-17	262712	Oil Seal	1	TC10267
3-18	262713	Oil Seal	1	TC10207
3-19	054676	Snap Ring	1	H26
3-20	261612	Cap Screw	3	M5x30
3-21	263569	Piston	1	
3-22	263789	Piston Ring	1	
3-23	261036	Piston Pin	1	
3-24	263957	Bearing, Needle	1	KTV81112EG01 B2
3-25	261576	Clip, Piston	2	
3-26	263719	Crankshaft/Conn Rod Ass'y	1	
3-27	264025	Clutch Ass'y	1	Incl 28, 29
3-28	264026	Clutch Shoe	2	(2)Required
3-29	264028	Spring, Clutch	1	
3-30	264505	Bolt	2	
3-31	261189	Washer	2	φ 6x φ 16.5x1.2
3-32	261777	Wave Washer	2	
3-33	263799	Fan Cover	1	
3-34	263976	Magneto Ass'y	1	Incl 35~43
3-35	263570	Rotor/Fan	1	
3-36	263978	Ignition Coil Ass'y	1	Incl. 37~43
3-37	263977	Coil	1	
3-38	261744	Spark Plug Wire Ass'y	1	Incl. 39~41
3-39	261071	Spark Plug Wire	1	
3-40	261074	Plug Boot	1	

# 3 · ENGINE

## CRANKCASE, CYLINDER

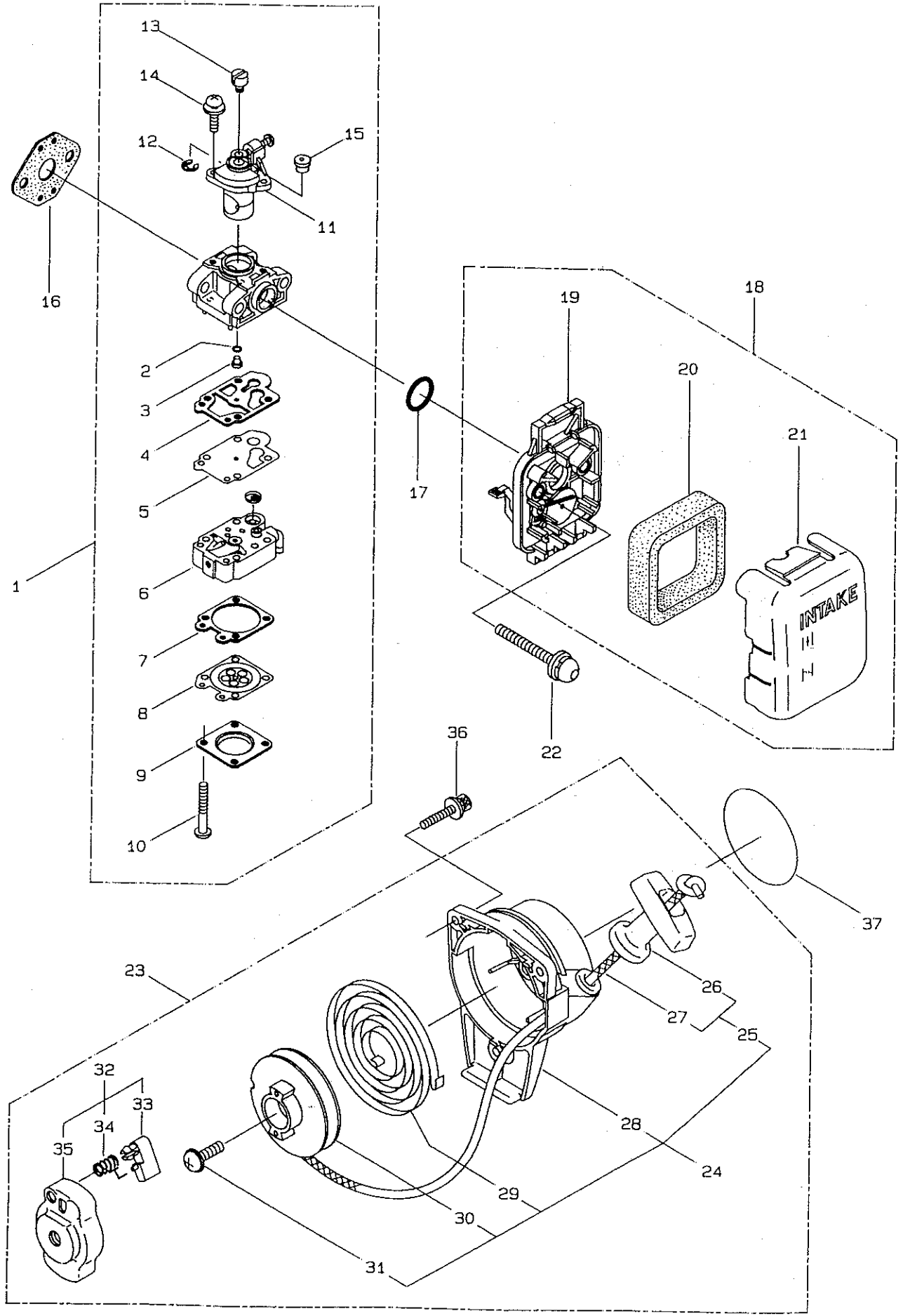




Ref. No	Part No.	Part Name	Q'ty	Remarks
3-41	261075	Connector	1	
3-42	261072	Cap	1	
3-43	261073	Insulator	1	φ 6xφ 6.8x80L
3-44	261076	Woodruff Key	1	
3-45	261077	Nut, Rotor	1	M6
3-46	261078	Spacer	2	
3-47	261256	Cap Screw	2	M4x25
3-48	262483	Spark Plug	1	NGK BPR6Y
3-49	263804	Wire, Coil Ground	2	
3-50	261202	Grommet	1	
3-51	264711	Fuel Tank Ass'y	1	Incl. 52~62
3-52	264712	Fuel Tank	1	
3-53	264713	Fuel Tank Cap Ass'y	1	Incl. 54
3-54	261105	Gasket	1	
3-55	261696	Breather Ass'y	1	
3-56	263586	Fuel Pipe Ass'y	1	Incl. 57, 58
3-57	261339	Grommet	1	
3-58	261690	Fuel Pipe	1	
3-59	264653	Filter Ass'y	1	
3-60	261117	Clip	1	
3-61	264318	Pad	2	
3-62	263824	Pad	1	
3-63	261117	Clip	1	
3-64	215351	Cap Screw	1	M5x25
3-65	264634	Stay	1	
3-66	261878	Nut	1	
3-67	261877	Adapter	1	

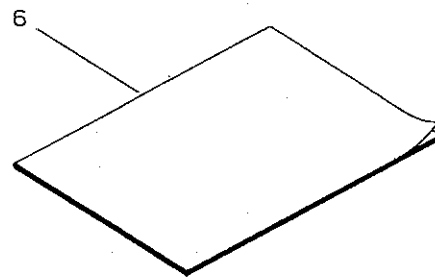
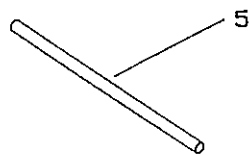
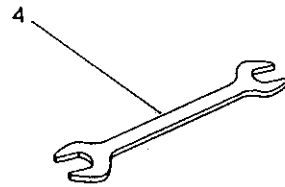
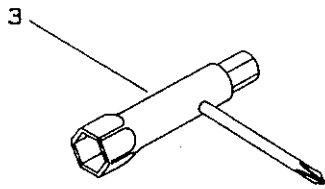
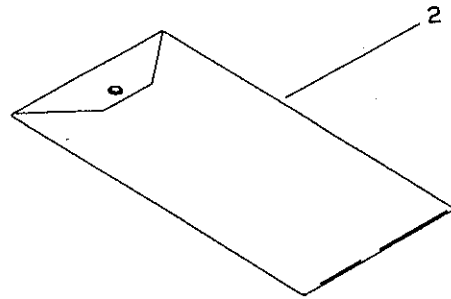
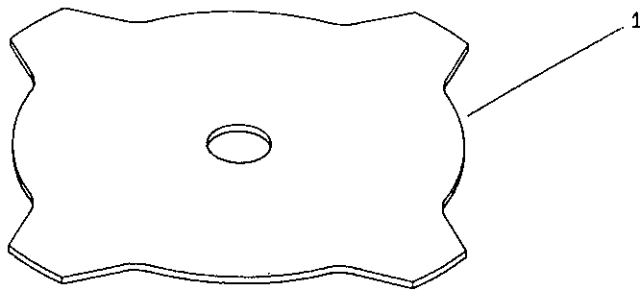
# 4 · ENGINE

## CARBURETOR, RECOIL STARER



Ref. No	Part No.	Part Name	Q'ty	Remarks
4- 1	264633	Carburetor Ass'y	1	Incl. 2~15 New gasket
4- 2	261871	O-Ring	1	required
4- 3	262730	Main Jet	1	#39
4- 4	262995	Gasket	1	
4- 5	262994	Diaphragm, Fuel Pump	1	
4- 6	264680	Pump Body	1	
4- 7	263727	Gasket	1	
4- 8	261873	Diaphragm, Metering	1	
4- 9	263726	Cover Plate	1	
4-10	263737	Screw	4	
4-11	264681	Throttle Valve Ass'y	1	
4-12	261876	E-Ring	1	
4-13	261658	Swivel	1	
4-14	264682	Screw	2	
4-15	261652	Plug	1	
4-16	261864	Gasket	1	
4-17	264691	O-Ring	1	
4-18	264708	Cleaner Ass'y	1	Incl. 19~21
4-19	264693	Housing	1	
4-20	264695	Filter	1	
4-21	264709	Cover	1	
4-22	264016	Cap Screw	2	M5x60
4-23	263807	Recoil Starter Ass'y	1	Incl. 24~35
4-24	263808	Recoil Ass'y	1	Incl. 25~31
4-25	115096	Rope Ass'y	1	Incl. 26, 27
4-26	261725	Starter Grip	1	
4-27	261627	Starter Rope	1	
4-28	263913	Starter Case	1	
4-29	261622	Spiral Spring	1	
4-30	261621	Pulley	1	
4-31	262922	Screw	1	
4-32	263471	Starter Pawl Ass'y	1	Incl. 33~35
4-33	263473	Pawl	1	
4-34	263474	Return Spring	1	
4-35	263472	Pawl Case	1	
4-36	261257	Cap Screw	3	M4x16
4-37	264965	Label	1	

# 5 · ACCESSORIES



Ref. No	Part No.	Part Name	Q'ty	Remarks
5- 1	210179	Mowing Blade	1	$\phi$ 230x4
5- 2	054753	Tool Bag	1	
5- 3	210418	Box Spanner	1	13x19x $\oplus$
5- 4	022865	Double-ended Wrench	1	8X10
5- 5	210181	Lever Handle	1	$\phi$ 3 5X170L
5- 6	220244	Instruction Manual	1	